



La miglior scelta
Università e Ospedali in oltre 80 paesi
nel mondo scelgono A-dec.



Oltre l'80% delle cliniche universitarie degli Stati Uniti e del Canada hanno attrezzature A-dec. Potete trovare attrezzature A-dec in Università, Ospedali e Istituzioni Governative in 6 continenti – vale a dire in tutti i continenti eccetto l'Antartide

A-dec Installations in Dental Schools, Government & Private Institutions Worldwide

Australasia

Schools

Australia

New South Wales &

Australian Capital Territory

Sydney Dental Hospital, NSW

Westmead Dental School, NSW

Queensland

Brisbane Dental Hospital, QLD

Griffith University, QLD

Yeronga Dental Therapist School, QLD

Dental Health Service (School Dental), QLD

Victoria

Dental Health Services Victoria, VIC

Latrobe University Bendigo, VIC

Melbourne University Dental School, VIC

Royal Dental Hospital, VIC

School Dental Services, VIC

South Australia

Adelaide Dental Hospital, SA

Gillies Plains TAFE, SA

South Australian Dental Service (School and Community Dentistry), SA

Western Australia

The Oral Health Center of Western Australia, WA

Comprises:

Curtin University Hygiene School

WA TAFE College for Dental Technicians and Dental Assistants

Institutions

Australia

New South Wales &

Australian Capital Territory

ACT Health, ACT

Australian Defense Forces, Tri Services

New England Health Dept., NSW

NSW Health, NSW

Regional Health Service, NSW

Queensland

Queensland Health, QLD

Northern Territory

Aboriginal Medical Service, NT

Northern Territory Dental Health, NT

Royal Flying Doctor Service, NT

South Australia

South Australian Dental Service, SA

Western Australia

Dental Health Services, WA

Western Australian University Centre for Rural & Remote Oral Health Care, WA

Australasia

Schools

New Zealand

AUT Oral Health Unit, Auckland
Otago University, Dunedin



A-dec 300 with PANS
(Patient Adjustable Neck Support)

Institutions

New Zealand

Auckland Hospital Board, Auckland
Canterbury Health, Christchurch
Hawkes Bay District Health Board, Napier
New Zealand Prison Service
Southland District Health Board, Invercargill
The New Zealand Army Dental Corps

Fiji

Fiji Dental Health – Suva

Cook Islands

Ministry of Health, Cook Islands

New Guinea

PNG Health Dental Division, Port Moresby

Samoa

Ministry of Health, Samoa

Far East

Schools

China

Anhui Medical University, School of Stomatology, Hefei
Capital Medical University, Beijing
Stomatological Hospital, Beijing
China Medical University, School of
Stomatology, Shenyang
Dalian Medical University, School of
Stomatology, Dalian
Fujian Medical University, School of
Stomatology, Fuzhou
Guangxi Medical University, School of
Stomatology, Nanning
Harbin Medical University, School of
Stomatology, Harbin
Henan Medical University, Zhengzhou
Jiangxi Medical College, Nanchang
Jinan University, Guangzhou
Kunming Medical University, School of
Stomatology, Kunming
Peking University, School of Stomatology,
Beijing
Qingdao Medical University, Qingdao
Second Military Medical College, Shanghai
Shandong University, School of Dentistry,
Jinan
Shanghai First Medical University, Shanghai
Shanghai Jiao Tong University, College of
Stomatology, Shanghai
Shanghai Medical College of Fudan
University, Shanghai
Sichuan University, West China College of
Stomatology, Chengdu
Southern Medical University, Guangzhou
Sun Yat-Sen University, Guanghua College
of Stomatology, Guangzhou
Suzhou Medical University, Suzhou

Tang Siu Kin Dental Therapists Training
School, Hong Kong
Tianjin Medical University, School of
Stomatology, Tianjin
Tongji University, School of Stomatology,
Shanghai
Wenzhou Medical College, School &
Hospital of Stomatology, Wenzhou
Wuhan University, College of Stomatology,
Wuhan



A-dec 542 Duo Delivery System

Far East

Schools

Korea

Catholic University
Dan Kuk University
Ewha Women's University
Ham Lim University
Han Yang University
Jo Sun University
Korea National University
Kyunghee University
Pusan National University
Sook Myung University
Won Kwang University
Yeon Se University

Japan

Matsumoto Dental University – Matsumoto
Niigata University, Niigata
Showa University, Tokyo
Tokyo Medical Dental University, Tokyo

Taiwan

Chung Shan Medical and Dental College,
Taichung
Kaohsiung Medical University, College of
Dental Medicine, Kaohsiung
National Defense Medical Center, School of
Dentistry, Taichung
National Taiwan University, Taipei

Institutions

Korea

Air Force - Korea (U.S. Military)
Army - Korea (U.S. Military)
Republic of Korea Army – Korea

Japan

Army, Air Force, Navy
Tokyo Metropolitan Police Hospital, Tokyo



A-dec 300 Cuspidor

South East Asia

Schools

Malaysia

Mahsa College
Penang Dental Training College
Srinakarin Wiroj University
Universiti Teknologi Mara
University Kebangsaan
University Malaya
University Sains

India

AB Shetty Dental School, Mangalore
Ambedkar Dental College, Bangalore
KLE Society Dental School, Gulbarga
Maulana Azad Dental College, India
VS Dental College – Bangalore, India

Indonesia

University Gadjah Mada

Myanmar

University of Mandalay
Yangon University

Philippines

University of the East

Thailand

Chiangmai University
Chulalongkorn University, Bangkok
Khon Kean University
Mahidol University
Rangsit University
Songhkla University

Vietnam

Cantho University
Medical University of Hanoi
Odonto Stomatological HCMC



A-dec 500 with
Continental Delivery System

Institutions

Malaysia

Malaysian Armed Forces
National Dental Health Centre

United States of America

Schools

Baylor College of Dentistry
Boston University
Case Western Reserve University
Columbia University
Creighton University
Eastman Dental/University of Rochester
Harvard University
Indiana University
Loma Linda University
Louisiana State University
Marquette University
McGill University
Medical College of Georgia
Medical Univ. of South Carolina
Meharry Medical College
New York University
Nova Southeastern University
Ohio State University
Oregon Health Sciences University
Southern Illinois University
State University of New York - Buffalo
State University of NY - Stony Brook
Tufts University
UCLA
UMDNJ
Univ of North Carolina at Chapel Hill
Universite Laval
University of Alabama
University of Alberta
University of British Columbia
University of California San Francisco
University of Colorado
University of Connecticut
University of Detroit Mercy
University of Florida

University of Illinois
University of Iowa
University of Kentucky
University of Louisville
University of Manitoba
University of Maryland
University of Michigan
University of Minnesota
University of Mississippi
University of Missouri-Kansas City
University of Nebraska
University of Oklahoma
University of Pennsylvania
University of Pittsburgh
University of Saskatchewan
University of Southern California
University of Tennessee
University of Texas Houston
University of Texas San Antonio
University of the Pacific
University of Washington
University of Western Ontario
Virginia Commonwealth University
West Virginia University

Latin America

Schools

Mexico

Centro Hospitalario del Estado Mayor Presidencial, Cd. De México
Delegación Benito Juárez, Cd. De México
Escuela Militar de Odontología, México City
FEZ Zaragoza (UNAM), México City
Hopital de especialidades, Villahermosa
Hospital General de México, México City
Hospital Infantil de México, México City
Instituto Franco Inglés, Metepec
Instituto Mexicano del Seguro Social (IMSS)
Instituto Nacional de pediatría, México City
Instituto Nacional de Perinatología, México City
Instituto Politécnico Nacional, Cd. De Mexico
Instituto de Seguridad Social de los Trabajadores del Estado (ISSSTE)
Instituto Universitario del Estado de México, Metepec
Presidencia de la Republica, México City
SEDENA, México City
Universidad Autónoma de Aguascalientes, AGS
Universidad Autónoma de Baja California, Mexicali
Universidad Autónoma de Baja California, Tijuana
Universidad Autónoma del Estado de México, Toluca
Universidad Autónoma de Nuevo León, Monterrey
Universidad Autónoma de San Luis Potosí, S.L.P.
Universidad Autónoma de Veracruz (Villarrica), Veracruz
Universidad Autónoma de Yucatán, Mérida
Universidad Benito Juárez de Oaxaca, Oaxaca
Universidad de Guadalajara, Guadalajara, Jal
Universidad del Valle de México, Hermosillo
Universidad del Valle de México, Querétaro
Universidad de Monterrey, N.L.
Universidad Juárez, Cd. Juárez
Universidad Nacional Autónoma de México, UNAM, México City
Universidad Veracruzana, Veracruz

Institutions

Mexico

Centro Hospitalario del Estado Mayor Presidencial, México City
Enep Zaragoza, Mexico City
GNP – Grupo Nacional Provincial, Cd. De México
Hospital General de Mexico, Mexico City
Hospital Ignacio Zaragoza, Mexico City IMSS
ISSTE, Mexico City
Secretaria de la Defensa Nacional
Secretaria de la Salud



A-dec Simulator

Latin America

Schools

Argentina

Universidad de Buenos Aires, Buenos Aires

Chile

Universidad Diego Portales, Santiago
Universidad Del Desarrollo, Concepción
Universidad Finis Tέρrea, Santiago
Universidad Mayor, Santiago

Colombia

Pontificia Universidad Javeriana, Bogotá
Santo Tomas University, Bucaramanga

Costa Rica

Universidad de Costa Rica, San José
Universidad Veritas, San José

Dominican Republic

Universidad Central del Este
Universidad Nac. Pedro Henriquez Urena, Santo Domingo
Universidad Catolica Madre y Maestra

El Salvador

Universida Nacional de El Salvador, San Salvador

Guatemala

Universidad Francisco Marroquín
Universidad San Carlos, Cd. De Guatemala

Institutions

Argentina

Gendarmeria Nacional, Argentina
Hospital Municipal, Buenos Aires

Chile

Banmédica - Clínica Davila
(Temuco, Concepcion, Santiago)

Dominican Republic

San Pedro de Macorís

El Salvador

Antel - Cía. Teléfonos

Latin America

Schools

Ecuador

Colegio Nacional Mejía, Quito
Universidad Católica, Quito

Honduras

Universidad Nacional de Honduras, Tegucigalpa
Programa De Las Naciones Unidas Para
El Desarrollo, PNUD, Tegucigalpa

Nicaragua

Universidad Autónoma Americana, Managua
UNAN-Universidad Nacional Autónoma de
Nicaragua, León

Panama

Universidad Latina, Cd. De Panamá

Peru

Universidad Latina, Cd. De

Puerto Rico

Universidad de Puerto Rico, San Juan

Trinidad & Tobago

Mount Hope Dental School

Venezuela

Universidad Central de Venezuela, Caracas
Universidad Mariscal de Ayacucho, Puerto La Cruz
Universidad Romulo Gallegos, San Juan de los Morros

Institutions

Ecuador

Contraloría General del Estado, Quito
Corporación Financiera Nacional, Quito
Dinader, Quito
Dirección Nacional de Migración, Quito
Hospital del Corazón, Quito Hospital de Salcedo, Quito
Hospital Geriátrico, Quito
Inst. Nacional del Niño y la Flia., Quayaquil
Inst. Nacional del Niño y la Flia., Portoviejo
Maternidad Isidro Ayora, Quito

Puerto Rico

Government Clinics - Puerto Rico

Surinam

Youth Dental Center, Paramaribo

Venezuela

Hospital San Juan de Dios, Caracas
IFA – Instituto de Las Fuerzas Armadas, Caracas
Ipsame
Seguro Social, Caracas

Western Europe

Schools

Belgium

Catholieke Universiteit, Leuven
Katholieke Universiteit Lueven, Lueven
Rijksuniversiteit Gent, Gent
The Shape, Mons
Universite Catholique de Louvain, Brussels
Vrije Universiteit Brussel , Brussels

France

Dental Hospital Paris Salpetriere
Dental School Paris Tour Auvergne
University of Clermont, Ferrand
University of Marseilles
University of Nancy
University of Nice
University of Paris, Garanciere
University of Paris, Deliberos
University of Reims
University of Toulouse

Greece

Athens University Dental School

Italy

University of Bologna
University of Napoli

Portugal

Faculdade de Medicina Dentaria de Lisboa
Faculdade de Medicina Dentaria de Oporto

Institutions

Belgium

Algemeen Ziekenhuis St. Jan, Brugge
The Shape, Mons

France

City Dental Office Nice
CPAM City Paris
Policlinic Creil
Post Dental Office Paris

Greece

Dental School – University of Athens, Athens
Red Cross Hospital

Italy

Base NATO di Aviano (U.S. Air Force)
Base NATO di Napoli (U.S. Navy)
Base NATO di Sigonella (U.S. Navy)

Portugal

Private Dental University, Lisbon
Private Dental University, Porto

Western Europe

Schools

Spain

School of Stomatologi, Santiago de Compostela

Switzerland

University of Basel



The Zimmer Institute, Winterthur, Switzerland

Western Europe

Schools

England

Bart's and The London Dental School
Birmingham School of Dentistry
Birmingham Dental Hospital
Bristol Dental School
Charles Clifford Dental Hospital, Sheffield
Crewe Health Centre
Eastman Dental Institute, London
Guy's, King's & St Thomas' Dental
Institute, London
Kadoori Postgraduate Centre—Oxford
Kings College
Kingsmill Hospital—Mansfield
Leeds Dental Institute
Liverpool School of Dentistry
LondDEC—London Deanery
Manchester Dental Hospital
Newcastle Dental School
Northern Deanery—Newcastle
Oldbury Health Centre
Peninsula Dental School—Devonport
Porth Dental Centre
Portsmouth School of Professions
Complimentary to Dentistry
Salford PCT, Manchester
Sheffield Dental School
Sussex Post Graduate Centre, Brighton
University of Essex
University of Central Lancashire
University of Portsmouth

Schools

Ireland

University of Cork Dental Hospital

Scotland

Aberdeen Post Graduate Dental Office
Dumfries Health Centre
Dundee Dental Hospital
Edinburgh Dental Hospital
Edinburgh Royal College of Surgeons
Glasgow Dental School
Inverness Health Centre
University of Dundee Dental School

Wales

Cardiff Dental School
University of Cork Dental Hospital



*Leeds Dental
Institute, England*

Central & Eastern Europe

Schools

Bosnia

Sarajevo School of Dentistry

Bulgaria

Plovdiv University

Croatia

University of Croatia, Zagreb

Czech Republic

Charles University, Hradec Kralove
Charles University, Czech Republic
Charles University, Pilsen
Charles University, Prague

Hungary

Debrecen University
Semmelweis Medical University, Budapest
Szeged University

Lithuania

Kaunas University, Kaunas

Macedonia

University Dental Clinics in Skopje

Institutions

Czech Republic

Military Hospital , Olomouc
Military Hospital, Pilsen
Police Presidium, Prague



Hradec Kralove–Czech Republic

Central & Eastern Europe

Schools

Poland

Warsaw University, Warsaw

Romania

Dental School " Apollonia," Iasi
Dental School "Iuliu Hatieganu," Cluj Napoca
University of Medicine and Pharmacy, Tg.
Mures
University " OVIDIUS," Constanta

Russia

Saratov University
Sechenov Medical Academy, Moscow

Slovakia

Dental Hygiene School, Presov

Slovenia

Ljubljana University, Ljubljana

Ukraine

University of Kiev, Kiev

Institutions

Slovenia

Narocnik Health Institution in Tolmin



Guy's Dental Institute ,
London, England

Middle East

Schools

A-dec 542
Side Delivery
System



Egypt

Ain Shams University
Cairo University

Jordan

Jordan University of Science and Technology

Kuwait

Kuwait University of Allied Sciences
Rumythia Training Center

Lebanon

Beirut University
St. Joseph University

Tunisia

University of Tunisia

Institutions

Bahrain

Ministry of Health

Cyprus

Department of Health

Egypt

Egyptian Dental Services

Kuwait

Ministry of Health

Oman

Ministry of Defense
Ministry of Health

Pakistan

Ahga Khan Hospital

Middle East

Schools

Turkey

Dicle University
Ege University, Izmir
Erzurum Ataturk University
Hacettepe University
Istanbul University
Konya Selcuk University
Marmara University
Samsun 19 Mayıs University
Trabzon University
Yeditepe University, Balmumcu, Istanbul
Yeditepe University, Goztepe, Istanbul

Yemen

University of Science & Technology



LondDEC—England

Institutions

Qatar

Ministry of Health

Saudi Arabia

Aramco - Dental Services
Ministry of Defense

Turkey

GATA, Ankara
Gaziantep State Hospital
Ministry of Health
SSK Okmeydanı Hospital
SSK Topraklık
TBMM

United Arab Emirates

Dept. of Health, Dubai
Ministry of Defense, UAE

Africa

Schools

South Africa

Medunsa University
Pretoria University
Stellenbosh
University of Western Cape
University of Wittwatersrand

Institutions

Ecuador

Banco

Pacific

Institutions

Guam

Air Force, Guam (U.S. Military)
Navy, Guam (U.S. Military)



Dundee Dental Hospital—Scotland



Cliniche Universitarie
Costi delle Parti di Ricambio

Oregon Health Science University

386 riuniti installati nel periodo 1988-1999

Anno	Costo \$
2005	9,535.00
2006	4,162.00
2007	6,066.00
2008	6,855.00
2009	11,188.00
Costo medio annuo:	7,561.20

Southern Illinois University

12 riuniti installati nel period 1997-2001, 105 nel periodo 2004-2005

Anno	Costo \$
2005	1,779.00
2006	1,483.00
2007	2,380.00
2008	4,773.00
2009	3,673.00
Costo medio annuo:	2,817.60

State University of New York, Buffalo

396 riuniti installati nel 1986, 4 nel 2007

Anno	Costo \$
2005	17,395.60
2006	6,275.00
2007	13,900.00
2008	668.00
2009	1,215.00
Costo medio annuo:	7,890.60

University of Medicine and Dentistry of New Jersey

283 riuniti installati nel periodo 1987-1991, 84 nel 2004

Anno	Costo \$
2005	3,813.00
2006	7,884.00
2007	6,350.00
2008	3,472.00
2009	2,884.00
Costo medio annuo:	4,880.60

Baylor College of Dentistry

272 operatories riuniti installati nel period 2001-2003

Anno	Costo \$
2005	7,215.00
2006	8,817.00
2007	7,800.00
2008	11,425.00
2009	8,670.00
Costo medio annuo:	8,785.40

University of Texas, San Antonio

288 operatories installati nel 1999

Anno	Costo \$
2005	14,642.00
2006	9,143.00
2007	10,800.00
2008	17,724.00
2009	18,341.00
Costo medio annuo:	14,130.00

Medical College of Georgia

43 riuniti installati nel periodo 1986-1988, 182 nel periodo 2002-2006

Anno	Costo \$s
2005	16,790.00
2006	11,736.00
2007	10,304.00
2008	4,497.00
2009	10,088.00
Costo medio annuo:	10,683.00

University of California, San Francisco

221 installati nel periodo 1999 -2003

Anno	Costo \$
2005	10,907.00
2006	15,386.00
2007	5,800.00
2008	3,379.00
2009	2,740.00
Costo medio annuo:	7,642.40

McGill University

61 riuniti installati nel periodo 1995-1999, 23 nel 2001

Anno	Costo \$
2005	3,740.00
2006	4,591.00
2007	2,263.00
2008	4,531.00
2009	5,003.00
Costo medio annuo:	4,025.60

University of Connecticut

111 riuniti installati nel periodo 1992-1998, 119 nel 2003

Anno	Costo \$
2005	7,615.00
2006	5,375.00
2007	7,662.00
2008	7,637.00
2009	5,126.00
Costo medio annuo:	6,690.20









Carlisle Royal Infirmary - UK





10

11

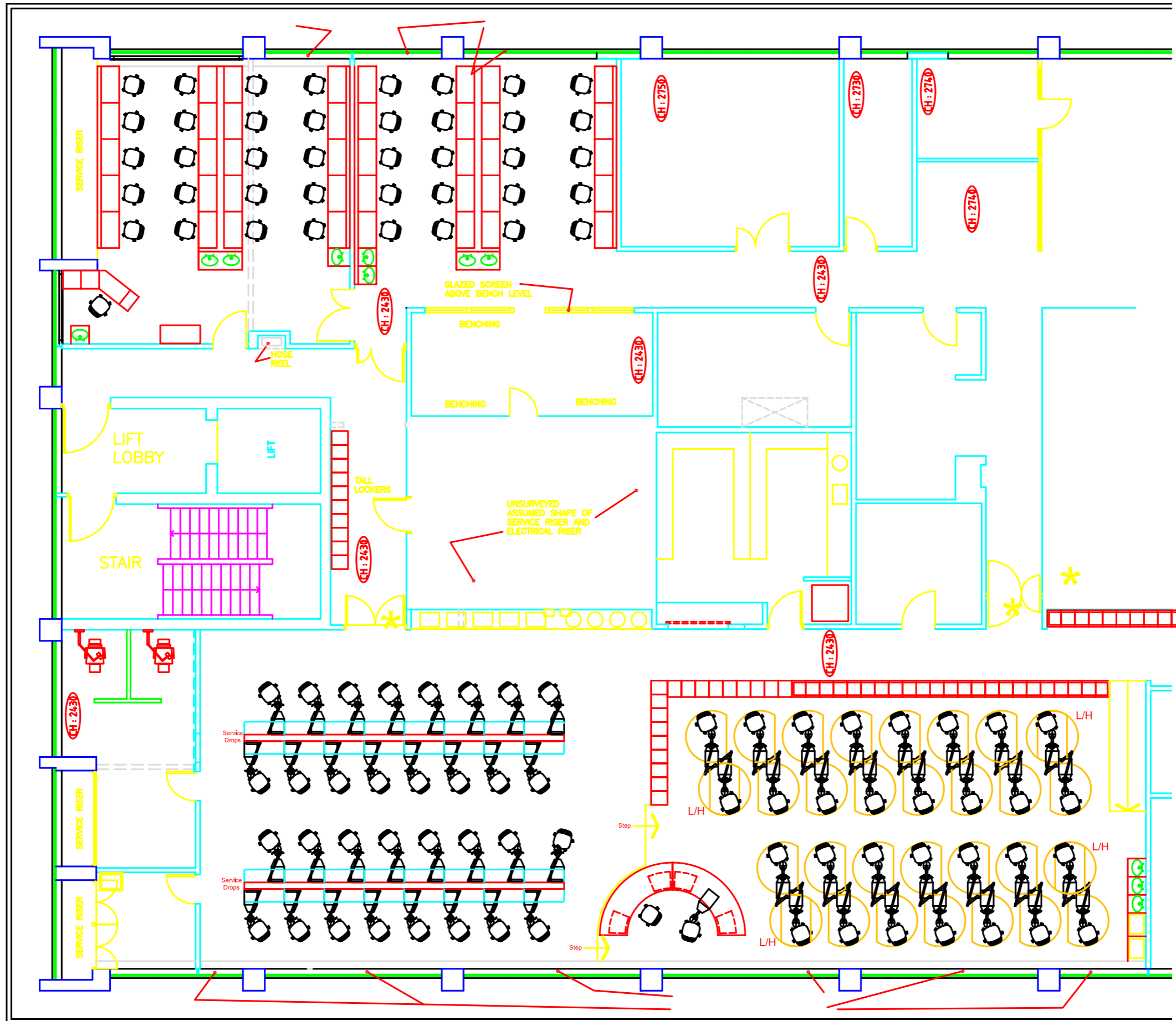
12

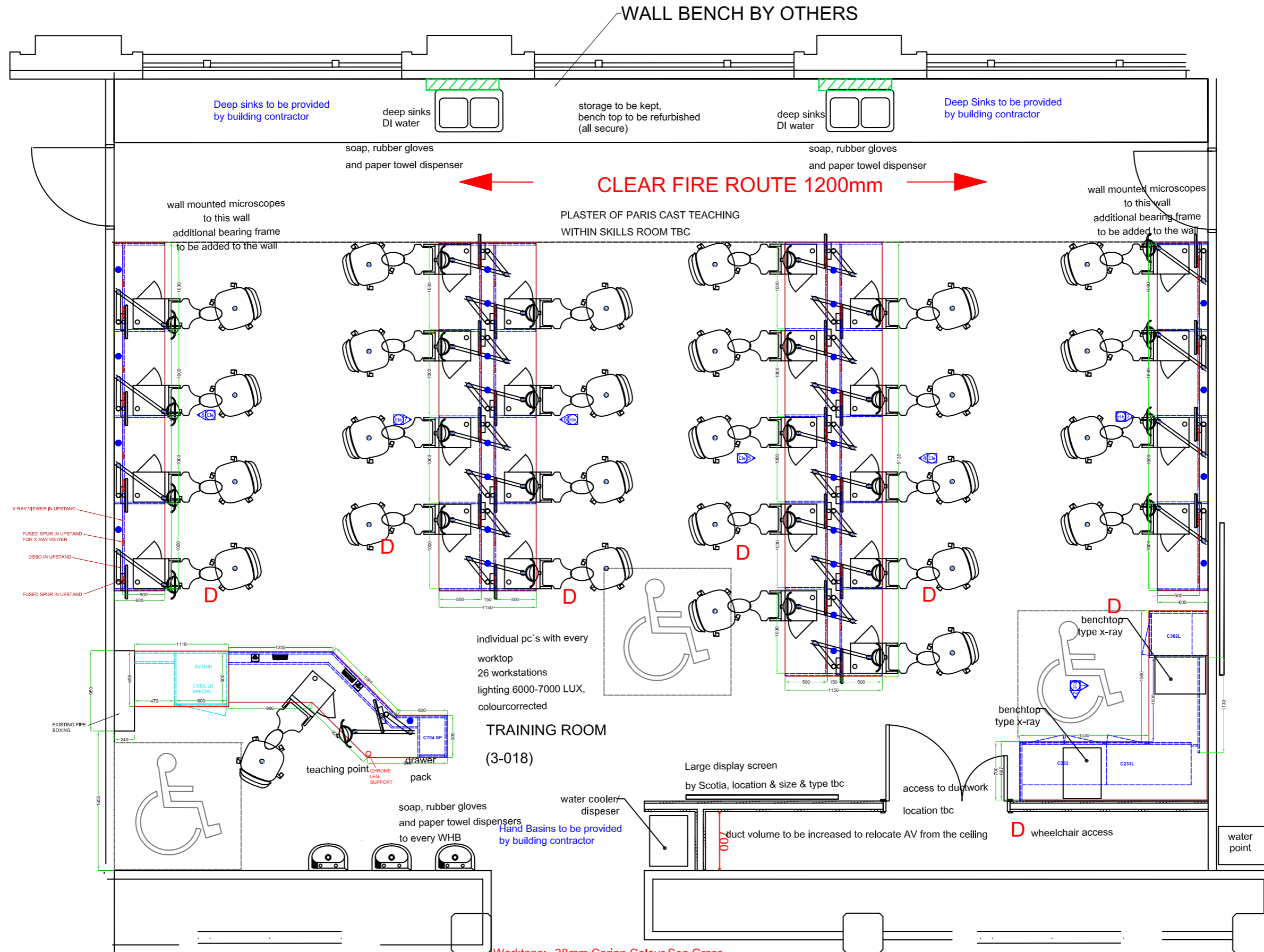
13

14

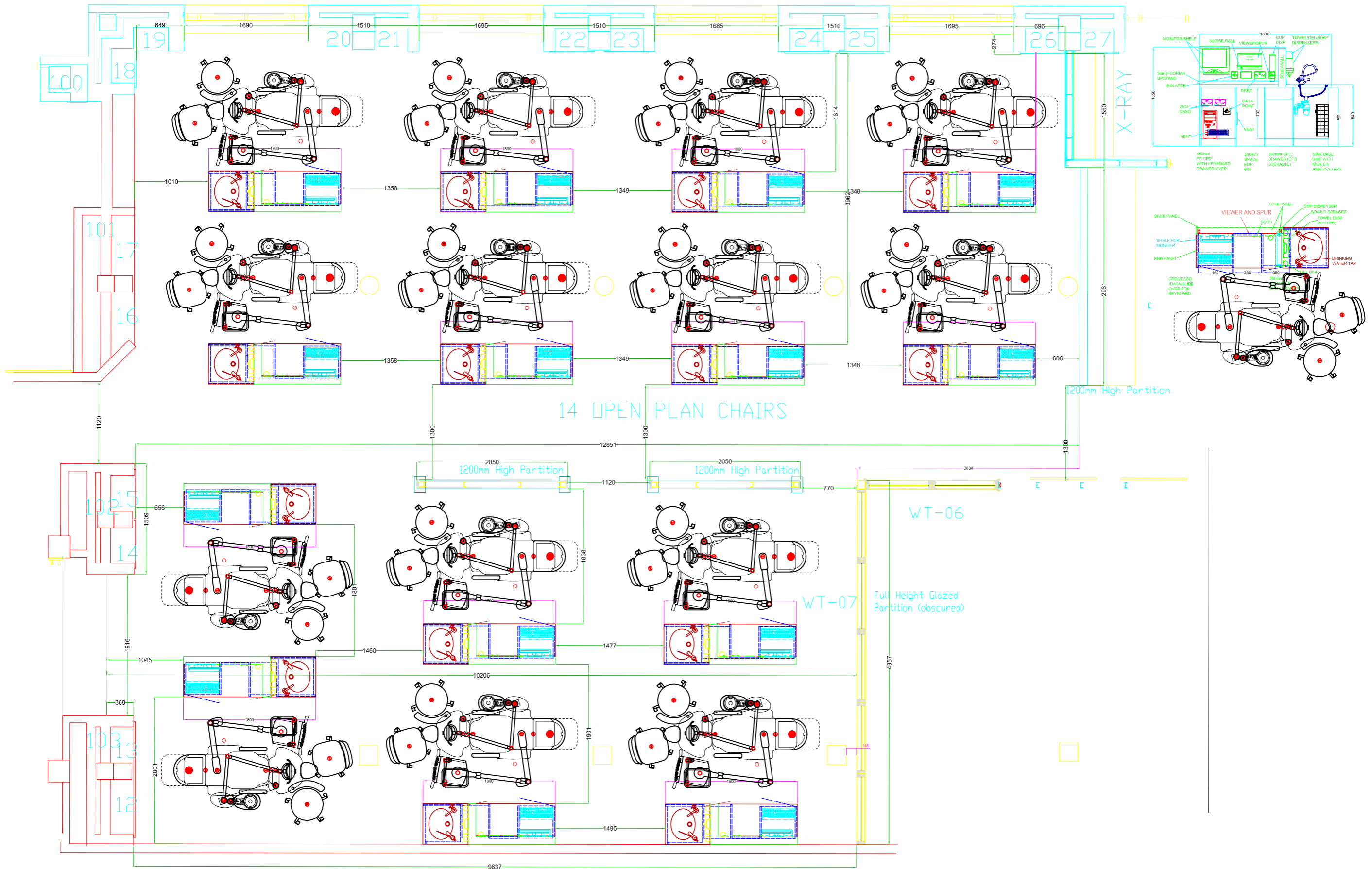


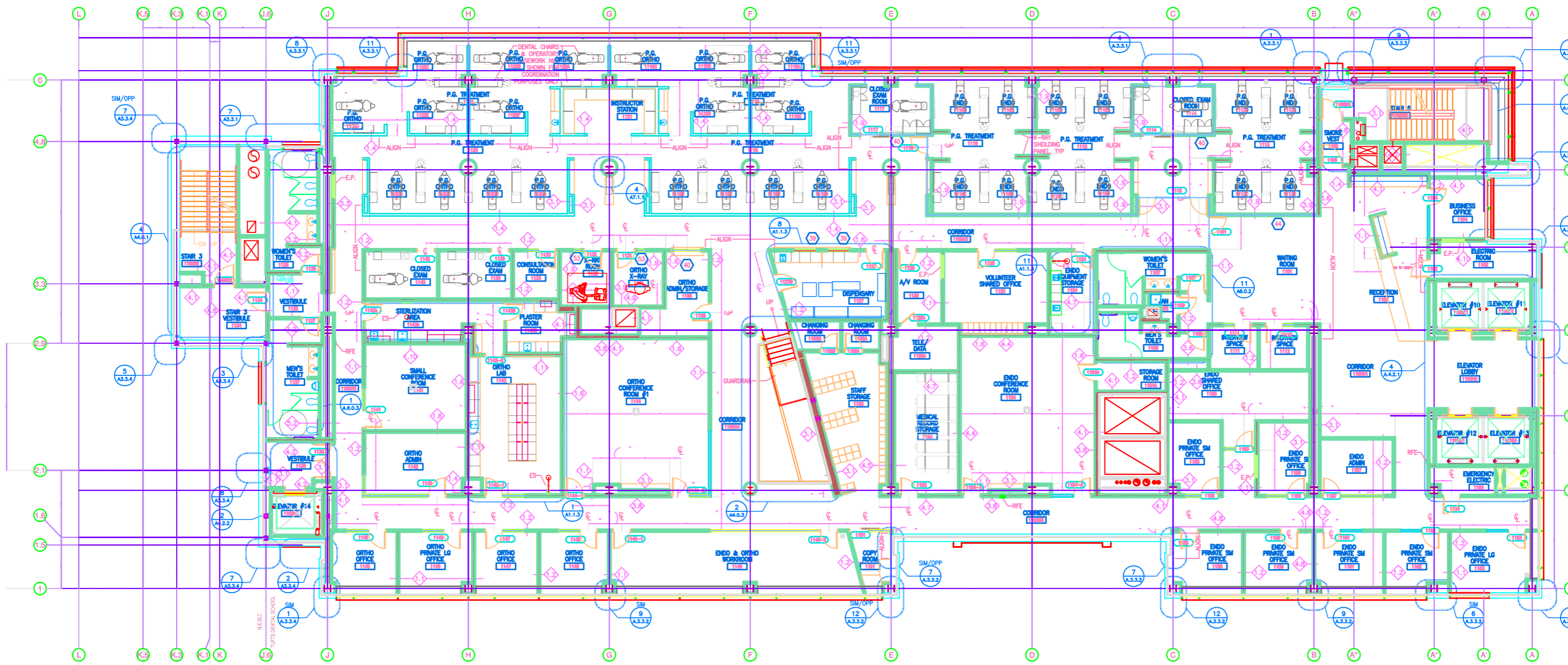






Worktops: 38mm Corian Colour Sea Grass
 Cabinets: 18mm White MF MDF
 Fronts: Laminated Colour F3019 Sea Jade







A-dec Inc.

2601 Crestview Drive
Newberg, OR 97132 USA
Tel : +1 800 547 1883 within USA/Canada
Tel : +1 503 7478 outside USA/Canada
www.a-dec.com

A-dec United Kingdom

Austin House, 11 Liberty Way
Nuneaton, Warwickshire CV11 6RZ
England
Tel : 0800 ADECUK (233285) within UK
Tel : +44 2476 350 901 outside UK
www.a-dec.co.uk

A-dec Australia

Unit 8, 5-9 Ricketty Street
Mascot, NSW 2020
Australia
Tel : 1 800 225 010 within Australia
Tel : +61 2 8332 4000 outside Australia